



Alkaline Cleaners, Rust Inhibitors & Specialty Chemicals

Trusted Finishing Products and Solutions

From start to finish, Osborn has your back with innovative solutions.

As the global leader in surface treatment and finishing solutions, Osborn knows that it's about more than just a product. With Osborn, you have a partner; an expert in your field that is dedicated to providing you the right solutions to do the job at hand better, faster, and safer.

Cost savings, improved efficiency, optimal results. Our experts are highly trained to serve you best, when and where you need it most. We help you optimize your polishing challenges.

The **highest quality materials** deliver the most efficient results

135+
years of
experience

Local Inventories
Osborn serves 120 countries around the world. North American, European and Asian manufacturing assure product availability and prompt delivery.

High Performance
Finest quality cloths and construction techniques for buffing solutions. Superior buff treatments for repeatability and performance.

100%
performance
satisfaction
guaranteed

Hands-on testing of your complex workpiece to develop a tailored solution

UNIQUE + REPUTABLE CAPABILITIES

Honest experts providing trusted solutions.

Since 1887, we have grown to become the world's largest surface treatment and finishing provider. We're dedicated to offering the very best—a standard to which we hold ourselves and the aspiration we reserve for our diverse customer base. Osborn helps you **Finish. First.**

Products for every application.

Osborn has the broadest selection of buffs, compounds and cleaners in the industry. Osborn will develop custom solutions for particular applications when standard products cannot meet the demands.

Continued innovation.

Product development focused upon customer applications. This applies to new products, continuous improvement, and process control.

Leading combination.

The combination of long-lasting Osborn metal finishing products provides excellent results and fewer rejects. Our products are the most stable in the business due to their unique methods of manufacturing. All our products are made using the highest quality ingredients.



Consistency Every Time

All **Osborn** chemicals are subject to stringent quality control procedures to ensure the same quality every time.

Available in Multiple Sizes

Osborn chemical cleaners are available in 5, 55, 330-gallon totes.

Designed for All Applications

Osborn chemicals are designed for all types of parts washers.



Local Inventories

Osborn serves 120 countries around the world. North American, European, and Asian manufacturing assures product availability and prompt delivery.

135+
years of
experience

IMMERSION AND ULTRASONIC CHEMICALS

Compound removal for bar, greaseless, and liquid buffing compounds. Alkaline cleaning uses water-soluble formulas at temperatures of 160°F to 175°F. Most compound binders begin melting at 140°F. For oil removal, the temperature to clean the part will vary on the geometry of the part, the type of oil on the part and the type of equipment utilized to remove the oil. Some soils will remove at temperatures as low as ambient temperature while some may need heat as high as 180°F. Certain soils can only be removed at elevated temperatures.

The above types of chemistries are also designed for Ultrasonic applications.

SPRAY CLEANER CHEMISTRY

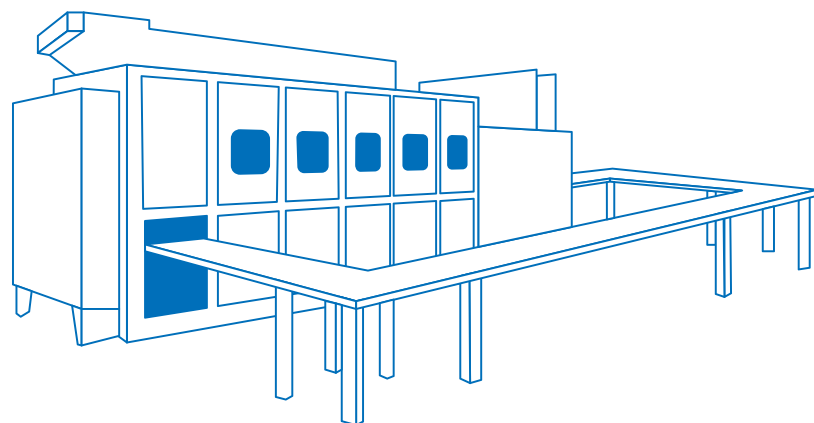
Osborn spray chemistries are designed to remove soil through spray impingement with minimal or no foaming and at low concentration levels. And as always, Osborn chemistries are formulated for longevity.

Buffing Compound Removal

The following liquid cleaners are effective as both a soak and an ultrasonic cleaner for liquid and bar compound removal from aluminum, zinc die castings, brass and steel without and attack on the base metal.

Oil and Lubricant Removal

The following liquid cleaners are effective as both a soak and ultrasonic cleaner designed to remove light to heavy oils, greases and other contaminants from ferrous and non-ferrous metals.

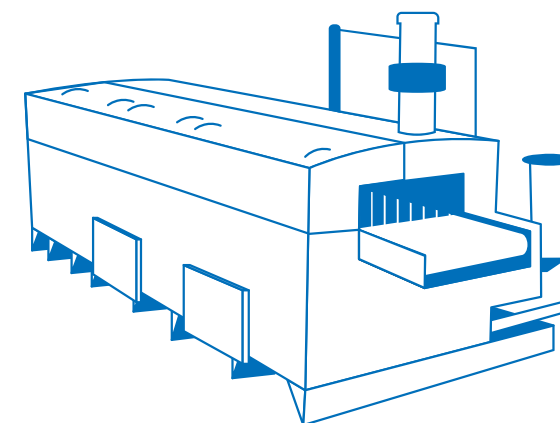


Buffing Compound Removal

The following liquid cleaning chemistries are designed for use in spray washing equipment. They are formulated to remove buffing compounds, coolants, and machining and honing oils from ferrous and non-ferrous surfaces.

Oil and Lubricant Removal

The following chemistries range from mildly alkaline to highly alkaline liquid cleaning solutions. Some have built-in temporary rust protection. They are designed to remove coolants, machining, stamping and honing oils from ferrous and non-ferrous surfaces.



SPECIALTY CHEMISTRY AND RUST INHIBITORS

The following is just a small sample of other chemistries Osborn can supply.

SAVE MONEY WITH THE RIGHT PRODUCT

Osborn carries a full line of abrasive belt lubricants to extend belt life by 300%. We also carry an extensive line of Rust Inhibitors for all types of applications.

Rinse Aid

A low foaming liquid additive is added to rinse water to reduce the contact angle of water, providing wetting and rapid drainage on the parts coming from an aqueous processing system to obtain spot-free drying on metal parts, plated parts, plastic and glass. It can also be added to cleaning tanks to improve cleaning and rinsing.



Defoamer

Anti-foaming/defoaming agents are used for alkaline cleaners, heavy-duty detergents, and synthetic and semi-synthetic lubricants. DF-635 is for tank side additions to control, minimize or eliminate foaming. It is completely dispersible in water and imparts a fast reduction of foam. It has excellent compatibility with water treatment, wastewater, and effluent treatment systems.



Auto Scrub

A low foaming, heavy-duty, floor cleaner. It is a uniform, concentrated, balanced blend of non-ionic and anionic surfactants and detergent builders. It is designed for use in mechanical scrubbing machines and hand mopping operations for the removal of oils, grease, and other shop soils from concrete to wooden block construction factory floors. It is also safely and effectively used in washing down external machine surfaces or other hard-to-clean applications.



Abrasive Belt Lubricant

Liquid belt lubricant is used to keep metalworking abrasive belts cool and free of metal particle buildup which reduces belt life. By applying BD-45 to the abrasive belt the life is extended by up to three times as much as a dry application.



Rust Inhibitor

A water-soluble rust inhibitor. It offers protection by leaving a dry, non-oily, non-waxy clear film on ferrous surfaces. It may be applied by spray or immersion.



THE FOLLOWING CHART IS A SMALL EXAMPLE OF THE OSBORN CHEMICAL APPLICATIONS

Osborn knows that every set-up is different, whether finishing in one step or more, Osborn tools and products complement each other throughout the process.

Product	Substrates S = Steel SS = Stainless BR = Brass, CU = Copper AL = Aluminum CI = Cast Iron P = Plastic	Buffing Compound	Soils			Temp Range	Key: Sp-Spray/Soak, SC-Soak, Buff Clean-soak, RI-Rust Inhibitor				Notes
			H ₂ O Sol.	Straight	Chlorinated		pH	Chelate	Phosphate	Silicates	
SP-52L	S, SS	Good	Good	Good	Good	130–180°F	13.5				Heavy duty ferrous cleaner
SP-48L	S, SS, BR, CU, AL	Good	Good	Good	Fair	130–180°F	13.0		X	X	General purpose cleaner good for aluminum
SP-771L	S, SS, BR, CU, AL	Good	Good		Fair	140–180°F	13.0			X	Buffing compound cleaner for aluminum
Buff clean 174L	S, SS, AL	Good	Fair		Fair	140–200°F	10.0				Concentrated soak cleaner to remove buffing compound
Buff clean 125L	S, SS, cobalt	Good	Fair		Fair	135–170°F	10.0				Soak cleaner for prothesis parts to remove compound
Rust Inhibitor RI-71	S	N/A	N/A	N/A	N/A	Ambient 160°F	10.0				Approximate 30 day rust protection
NRR-2000	S	Poor	Good	Good	Good	125–175°F	6.5				Designed to remove light rust and oxides on steel w/heat

